

Issue Date: 30.03.2022

Shiplap Cladding Price List (Supply Only, inc. VAT @ 23%)



Name:			Dimensions:			
Date:			Contact:			
Product Description	Colour	Code	Size	No.	Price Each	Total Due
Weatherboard Shiplap Cladding						
Weatherboard	W,Pg,S,Pb,Sg, Cb,Ab,Mg,Sl	FCF170E	170mm x 5m x 16mm		€45.95	
Butt Joint	To Match	FCF209E	Pack of 10		€52.35	
Pro Double Plank Shiplap Cladding						
Pro Double Plank Shiplap	W,Pg,S,Mg,Sg, Cb,C,Ab,Sl	FCD333E	333mm x 5m x 17mm		€81.54	
Butt Joint	To Match	FCD210E	Pack of 10		€52.35	
Double Plank Shiplap Cladding						
Double Plank Shiplap	W,Pg,S	FCD300E	330mm x 5m x 17mm		€74.34	
Butt Joint	To Match	FCD209E	Pack of 10		€52.35	
Foiled Shiplap Cladding						
Foiled Shiplap	W,M,Lo,Ba,R,Ag	FC151	150mm x 5m x 17mm		€81.15	
Butt Joint	To Match	FC209	each		€52.35	
Trims						
2 Part Edge Trim	All	FC301E3	3m		€21.32	
Universal Edge Trim	All	FC302E3	3m		€36.86	
External Corner Trim	All	FC304E3	3m		€30.30	
Internal Corner Trim	All	FC307E3	3m		€21.32	
2 Part H-Trim	All	FC315E3	3m		€30.30	
Starter Trim	W	FCF2123	3m		€13.55	
Multifunction Trim	All	FC320E3	3m		€22.70	
Vented Trim & Cover	W	FC311E3	25mm/38mm x 3m		€39.90	
Vented Starter	W	FC3123	25mm/38mm x 3m		€15.04	
2 Part Reveal Liner	All	FC319E3	3m		€67.05	
Reveal Liner Edge/Extension	All	FC318E3	3m		€16.40	
Adhesives & Fixings						
Silicone	W, Cr, Bl, Cl, Gr		310ml		€11.07	
Adhesive	W		310ml		€6.27	
Adhesive - Foil Pack	W		600ml		€9.16	
Wafer Head Screws (Timber)	Steel		8 x 9/16 x 100		€4.10	
Gyproc Screws (Slab)	Black		25mm/38mm x 100		€2.00	
Heavy Duty Adhesive Gun			For 600ml foils		€50.00	
Extras						
Delivery/Invoice Address:					Sub Total:	€0.00
					Delivery:	
					Total Due:	€0.00

Colour Code:

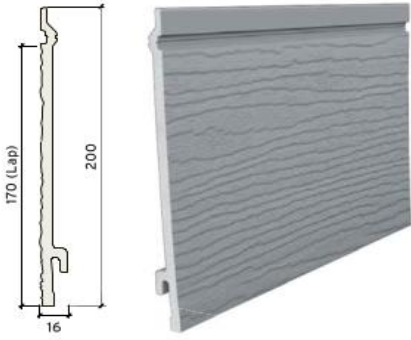
W = White, Pg = Pale Gold, S = Sand, Pb = Pale Blue, Sg = Storm Grey, Cb = Colonial Blue, Ab = Argyl Brown, Mg = Misty Grey, Sl = Slate Grey, C = Cappuccino, M = Mahogany, Lo = Light Oak, Ba = Black Ash, R = Rosewood, Ag = Anthracite Grey

Supply & Fit: Payment due to fitter upon completion - cash or cheque only

Unit 57B, Hebron Industrial Estate, Hebron Road, Kilkenny

T: 056 775 2866 | F: 056 777 0955 | E: info@enviroclad.com | Payment terms: enviroclad.com/terms

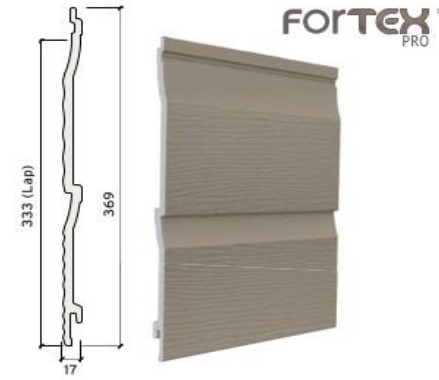
FCF170E
WEATHERBOARD CLADDING



Butt Joint - (FCF209E)



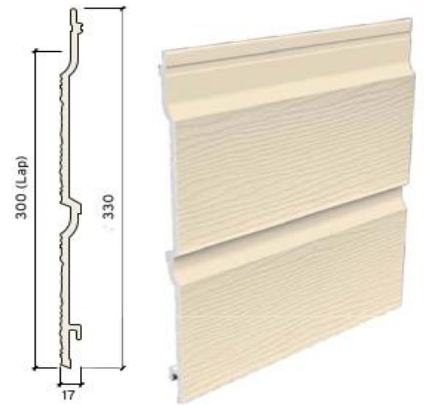
FCD333E
PRO DOUBLE PLANK SHIPLAP CLADDING



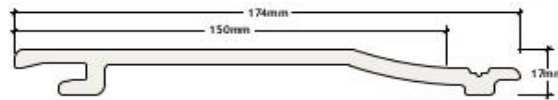
Butt Joint - (FCD210E)



FCD300E
DOUBLE PLANK SHIPLAP CLADDING



Butt Joint - (FCD209E)



FC151 Foiled Shiplap Cladding

Material	Foiled Cellular PVC	Thickness	17mm	Length	5m plank
Width	174mm total / 150mm lap	Weight	0.55Kg/M ² (2.75Kg/Plank)	Coverage	3m ² /pack (0.75m ² /plank)



FC151 Foiled Shiplap



FC210 Butt Joint



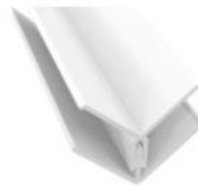
Internal Edge Trim FC301E3



Universal Edge Trim FC302E3



External Corner Trim FC304E3



Internal Corner Trim FC307E3



2 Part H-Trim FC315E3



Starter Trim FCF2123



Multifunction Trim FC320E3



25mm Vented Trim & Cover FC311E3



25mm Vented Starter FC3123



2 Part Reveal Liner FC319E3



Reveal Liner Edge/Extension FCF318E3